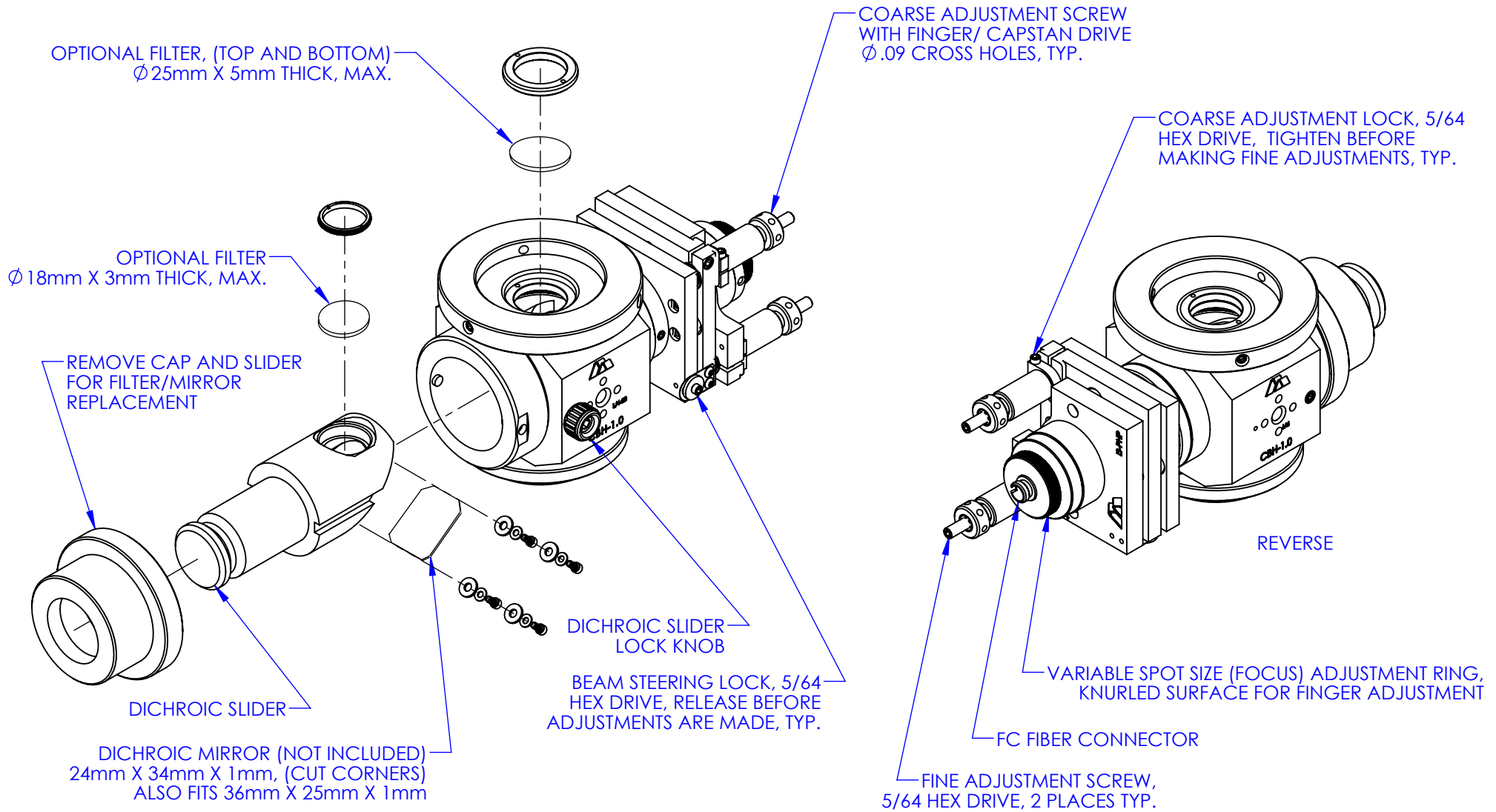


IS-OGP SETUP INSTRUCTIONS



NOTES:

1. FINE ADJUST LOCKS MUST BE RELEASED BEFORE ANY ADJUSTMENTS ARE MADE.
2. PERFORM COARSE ADJUSTMENT, THEN TIGHTEN COARSE ADJUSTMENT LOCKS BEFORE USING FINE ADJUSTMENT SCREWS.