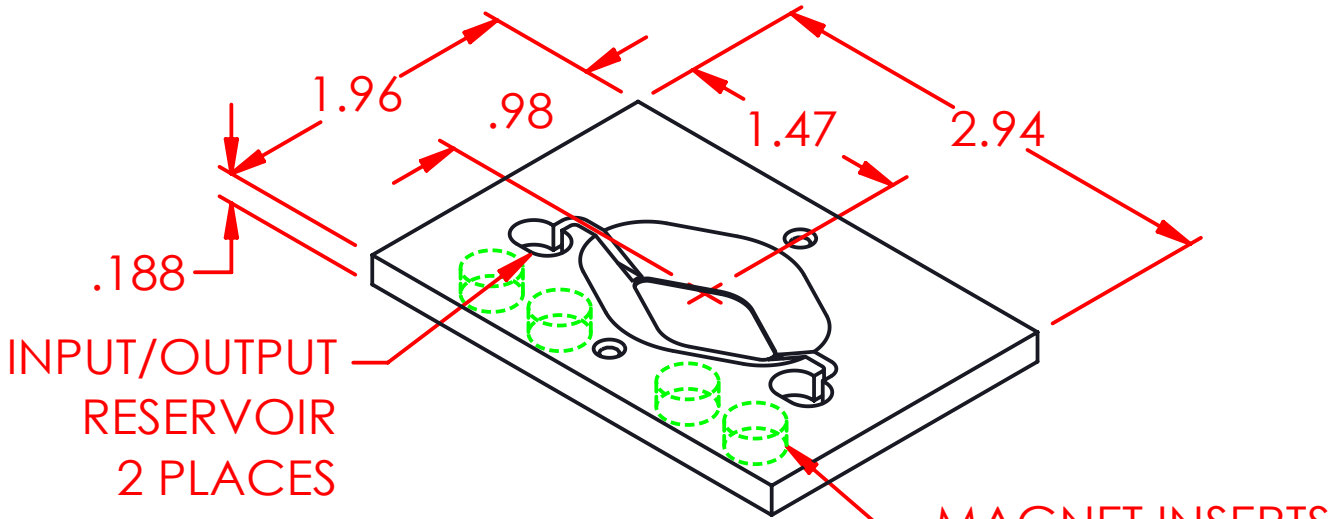


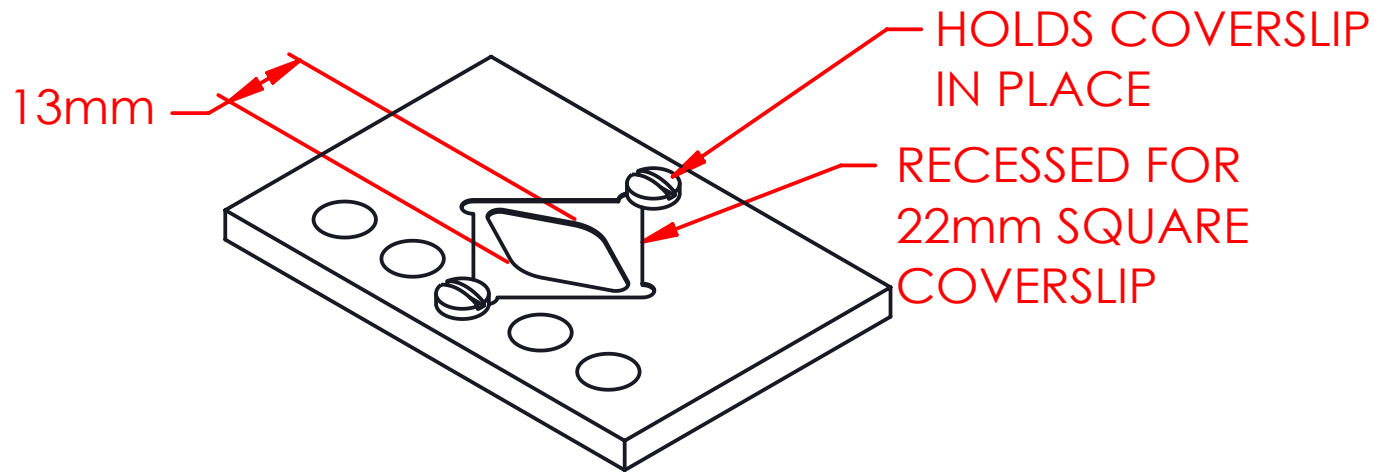
TOP



INPUT/OUTPUT
RESERVOIR
2 PLACES

MAGNET INSERTS
4 PLACES

BOTTOM



HOLDS COVERSLIP
IN PLACE

RECESSED FOR
22mm SQUARE
COVERSLIP