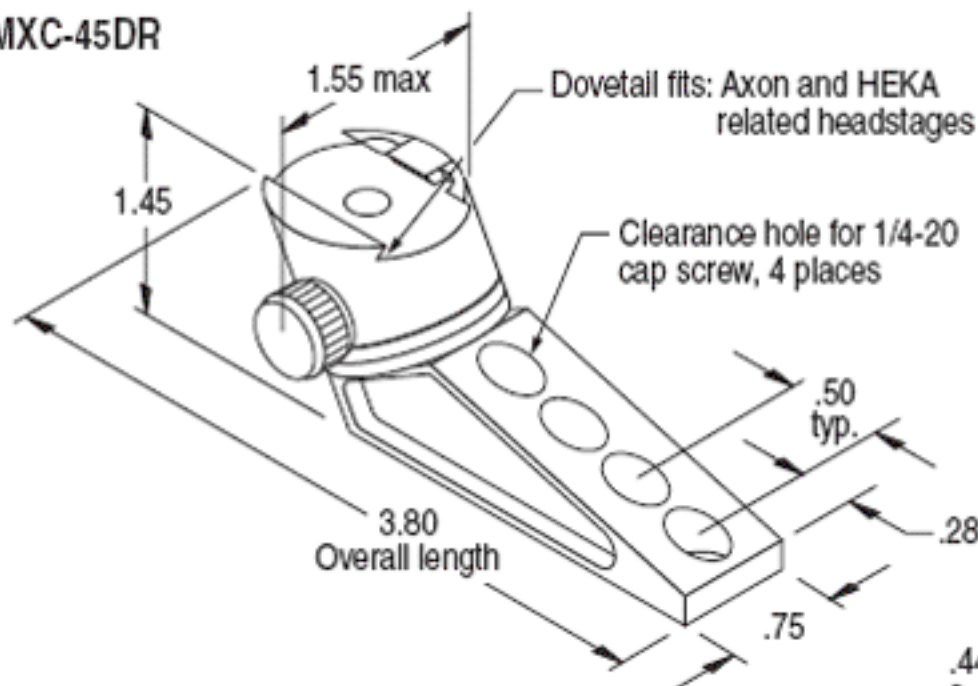
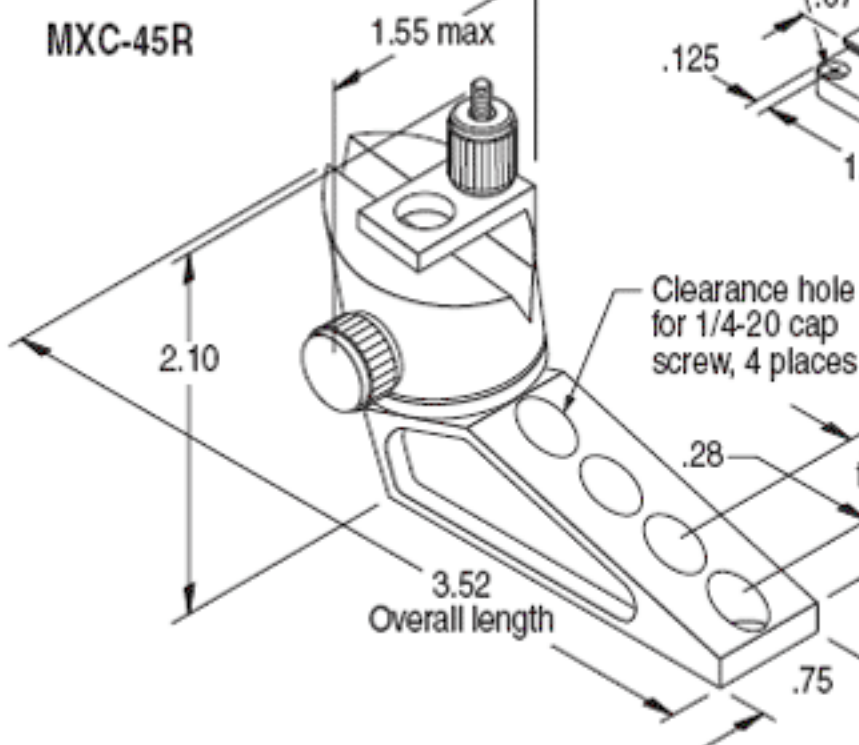


### MXC-45DR

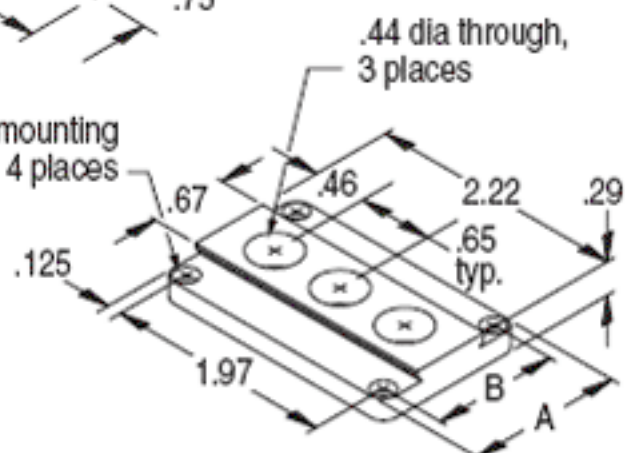


2A-45D  
and  
CV4-45D

### MXC-45R



2-56 mounting  
hole, 4 places



Model	A	B
2A-45D	1.09	.84
CV4-45D	1.35	1.10

### Application

