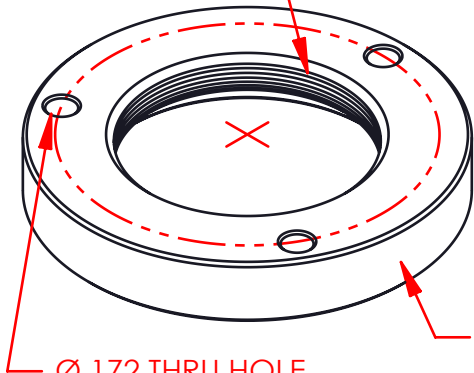


1 7/16-20 THREAD THRU
ON BACK SIDE:
Ø1.684 x .14 DEEP



Ø.172 THRU HOLE,
3 PLACES ON A
Ø2.00 BOLT CIRCLE

Ø2.34 x
.375 THICK