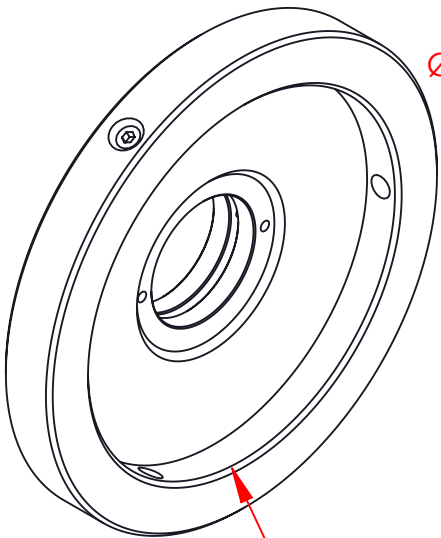
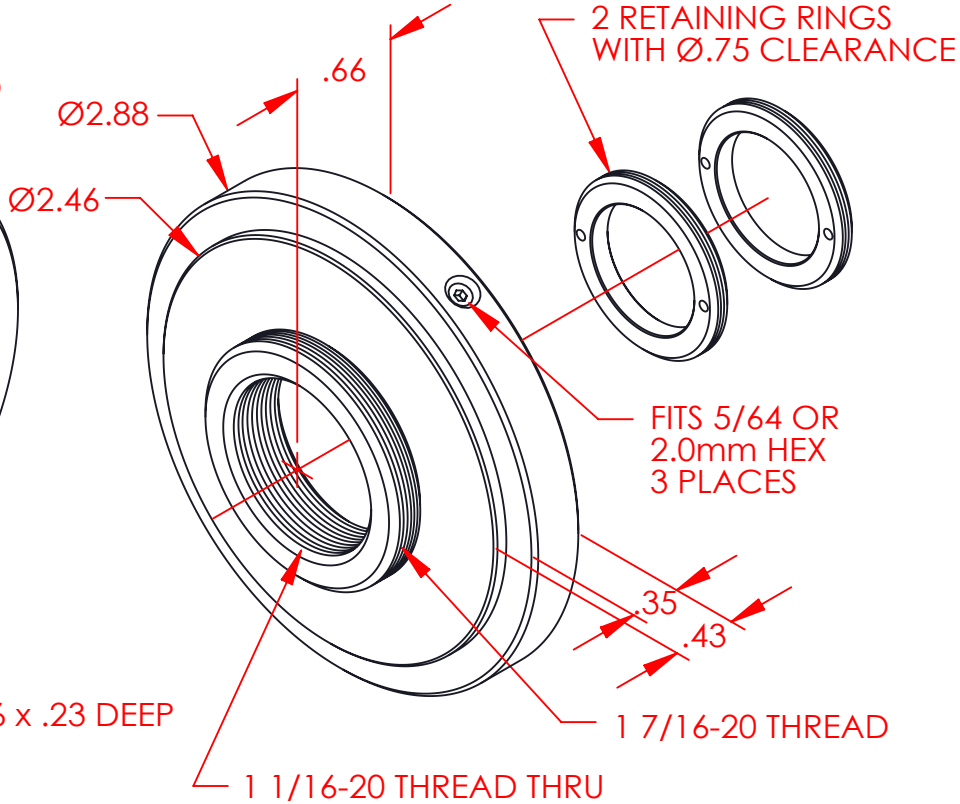


OPPOSITE END VIEW WITH
RETAINING RINGS INSTALLED



Ø2.26 x .23 DEEP



Ø2.88

.66

Ø2.46

2 RETAINING RINGS
WITH Ø.75 CLEARANCE

FITS 5/64 OR
2.0mm HEX
3 PLACES

.35

.43

1 7/16-20 THREAD

1 1/16-20 THREAD THRU